

User's manual

EN



Infrared Cabin **PHÖNIX-L (1-030-315)**

PREFACE

Thank you very much for purchasing our product.

Please read this manual carefully before assembling and save it afterwards. Please write down the control box serial number of the cabin as this number will be required in case of repair or order of spare parts.

ATTENTION

Installation and repair should only be done by a qualified electrician!

Check power supply rating and make sure the grounded outlet is correctly connected before installation.

Use original parts only. Do not share the outlet with any other appliances.

When not in use, turn off the cabin's power unit.

Locate your cabin indoors and on a flat, level and dry surface.

DANGER

Heaters shall not be subjected to water spray; shower heads shall not be installed within the infrared cabin.

Covering the radiator causes a fire hazard due to overheating. Do not cover the heaters !

Keep flammable or easily combustible materials/objects (eg.towels) away from the radiator at all times.

Do not touch the radiator during and shortly after use as a burning hazard exists due to hot parts.

The light bulb heats in use. If the bulb needs to be changed, unplug the cabin and let the bulb cool down before changing it.

Should the electrical connection get damaged, it must be replaced-either by the manufacturer or by a licensed electrician!

WARNING

If you suffer from illness or other health-related problems, especially heart conditions or circulatory disturbances or if you take medication, you should consult a doctor before using the infrared cabin.

Children and frail persons should never be in the cabin without supervision.

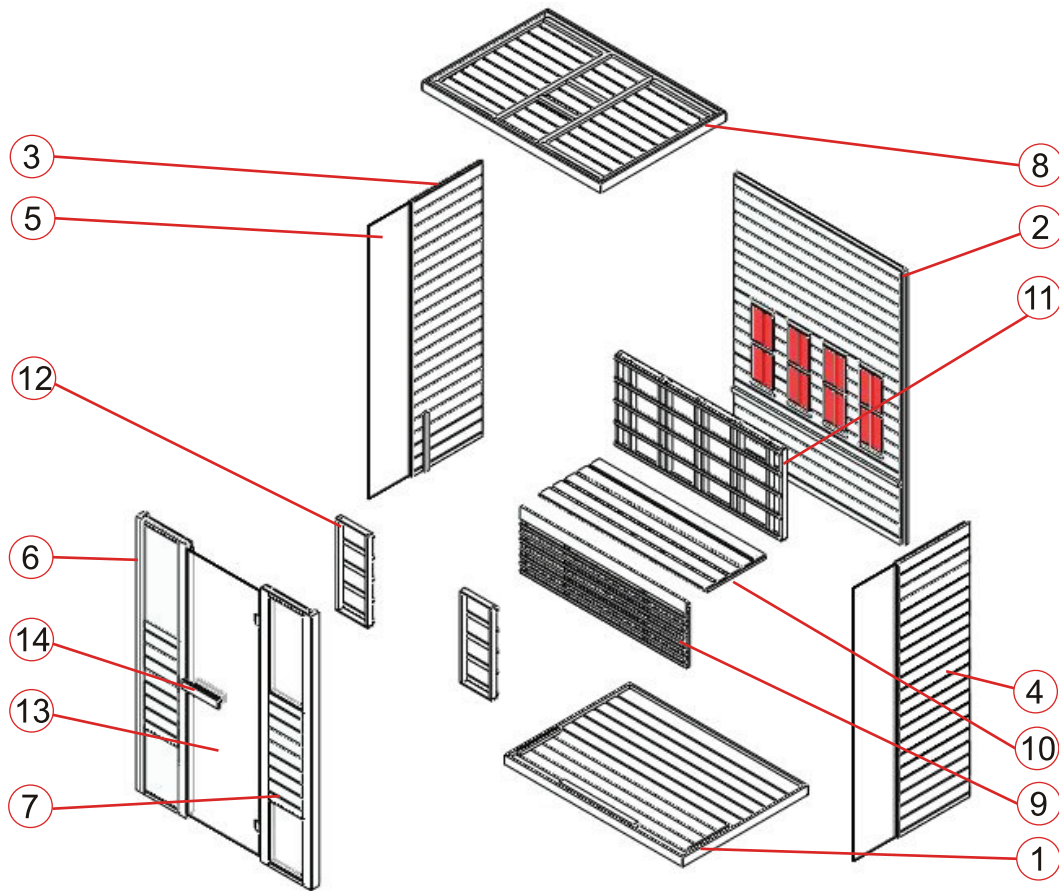
If you feel uncomfortable while using the infrared cabin, stop immediately and consult with your doctor.

Never go to a hot infrared cabin if you have taken alcohol, strong medicines or narcotics.

Technical data

Model		PHÖNIX-L (1-030-315)
Cabin material		Canadian red cedar
Length		1450 mm
Width(depth)		1020 mm
Height		2000 mm
Voltage		230volt 50Hz
Radiators	Type	Halogen radiators with red glass
	Total output	2200W 9.6A
	Back panel	300W x 4
	Front panel	300W x 2
	Calves	400W x 1


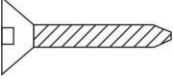

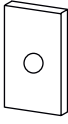
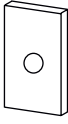
PARTS LIST



Cabin Individual parts (variations possible)

NO	NAME	Q'TY
1	Floor panel (1450*1020*65mm)	1
2	Back panel (1927*1392*43mm)	1
3	Side panel 1 (1927*593*33mm)	1
4	Side panel 2 (1927*593*33mm)	1
5	Side glass (1896*344*6mm)	2
6	Front panel 1 with glass (1927*409*48mm)	1
7	Front panel 2 with glass (1927*409*48mm)	1
8	Toppanel (1450*1020*65mm)	1
9	Bench support panel (1350*470*33mm)	1
10	Bench surface panel (1350*500*33mm)	1
11	Guardrail 1 (1350*650*54mm)	1
12	Guardrail 2 (260*650*54mm)	2
13	Glass door (1866*592*6mm)	1
14	Door handle (outside, 300*65*45mm & inside, 230*65*45mm)	2

Hardware parts (variations possible)

				
Rubber strip	Φ3*16	Φ4*45	Φ6*60	30*20*2
10m	1x	43x	2x	1x

ASSEMBLE INSTRUCTIONS

Assemble tips

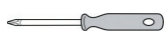
Please remove transport packaging and inspect that your infrared cabin has been delivered complete and intact before beginning assemble.

A least 2 persons are required for assemble of the cabin

Please check the countersink and hole diameter of the drill holes to avoid damaging the wood.

The minimum room height required for installation is 2120 mm

Tools



Screwdriver (kit)



Tape measure



Electric drill



Spiral drill (kit)



Hammer



Allen Wrench (kit)



Cutter



Stepladder



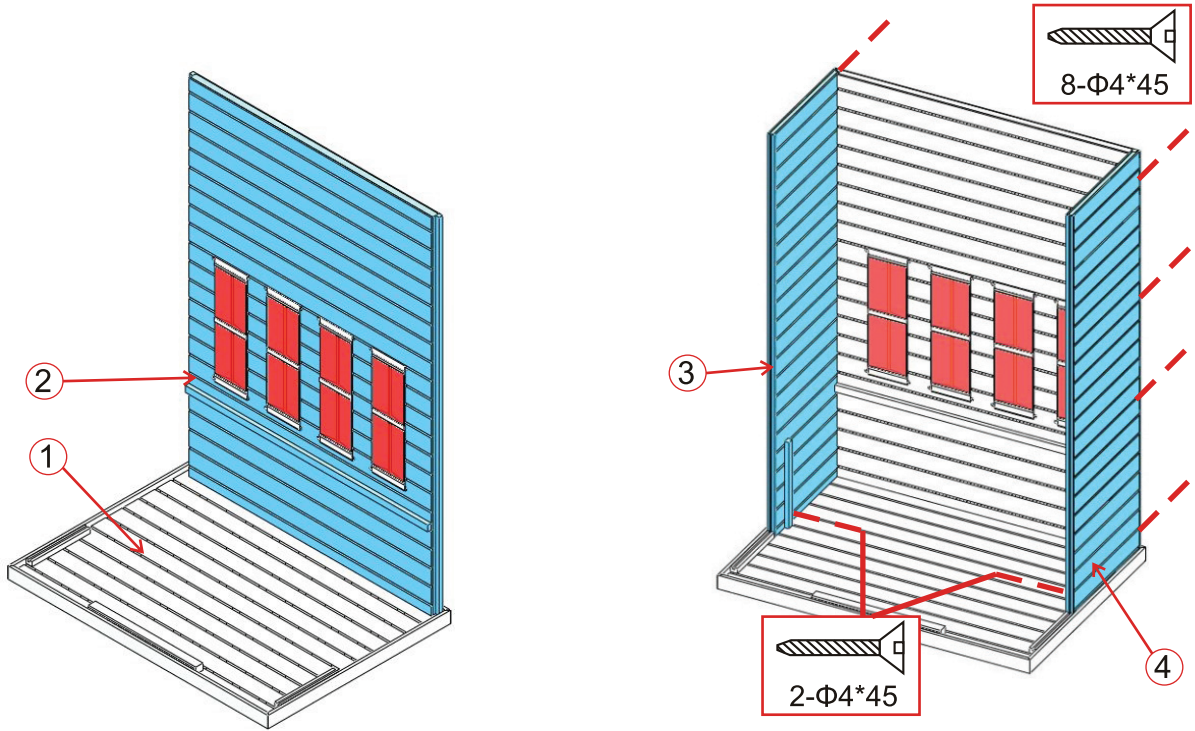
Spirit level



Pencil

ASSEMBLE INSTRUCTIONS

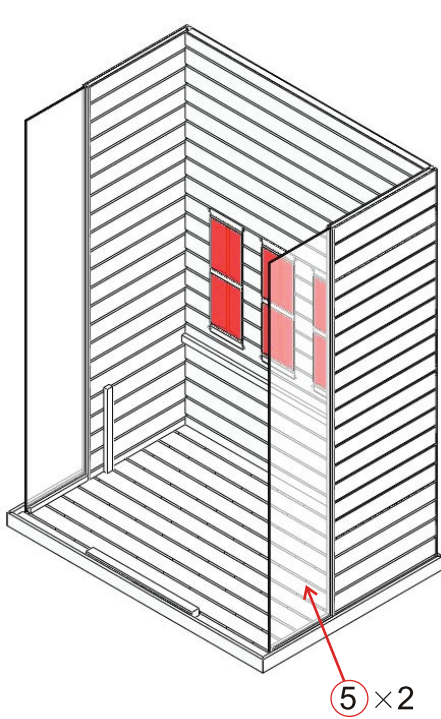
Assemble steps



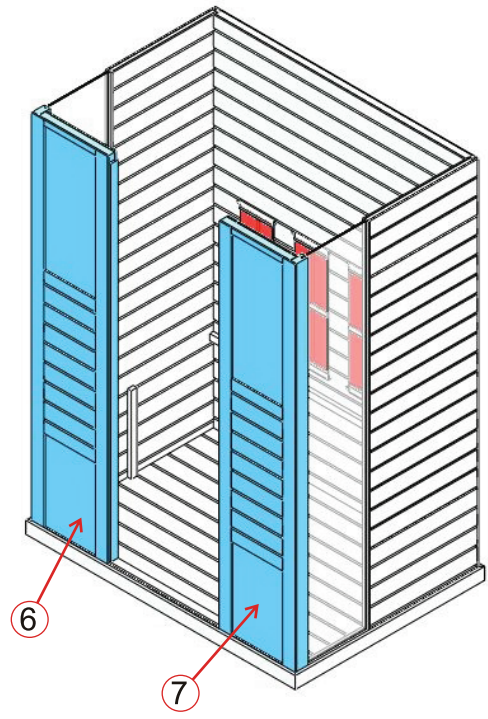
Note: back panel has ventilation slits must keep 5 cm away from the next wall

(1)

(2)



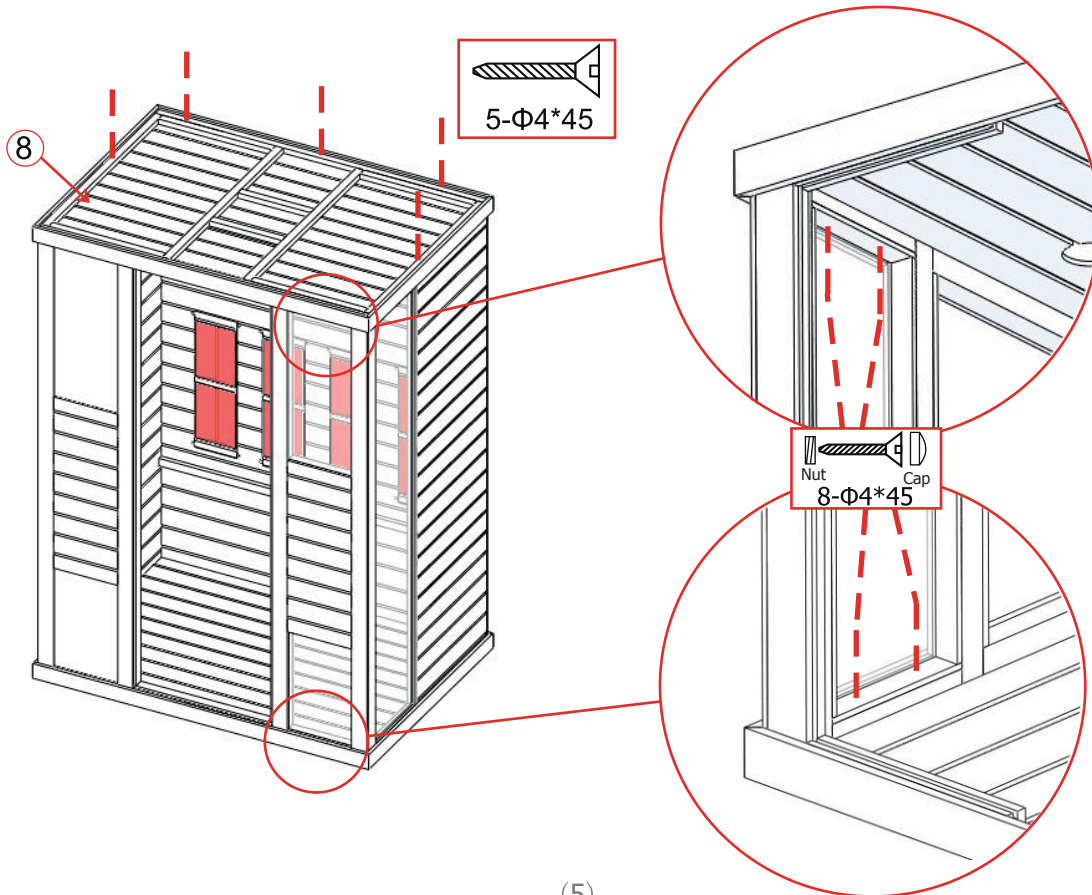
(3)



(4)

ASSEMBLE INSTRUCTIONS

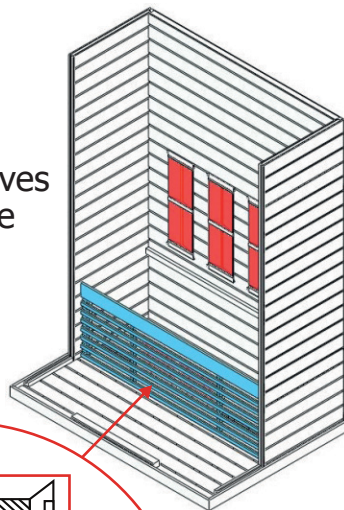
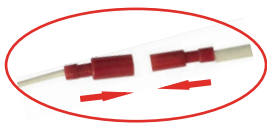
Assemble steps



(5)

Note: about 20mm away from the bench panel

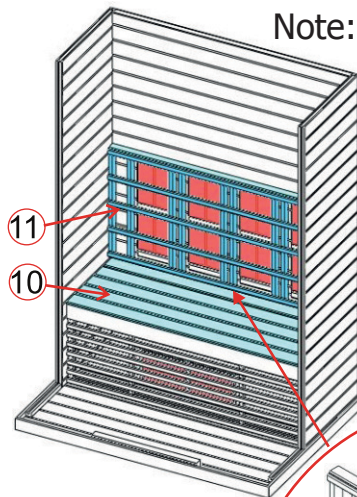
Note: connect calves heater cable



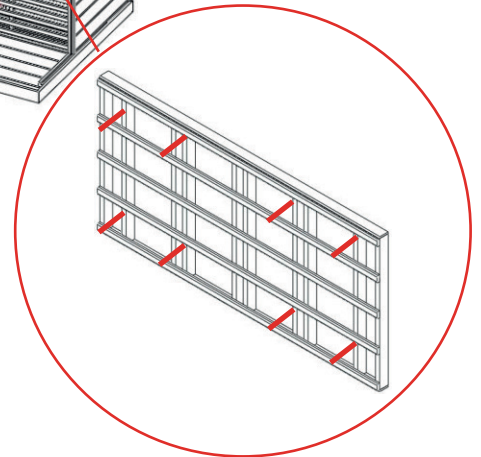
4-Φ4*45

9

(6)



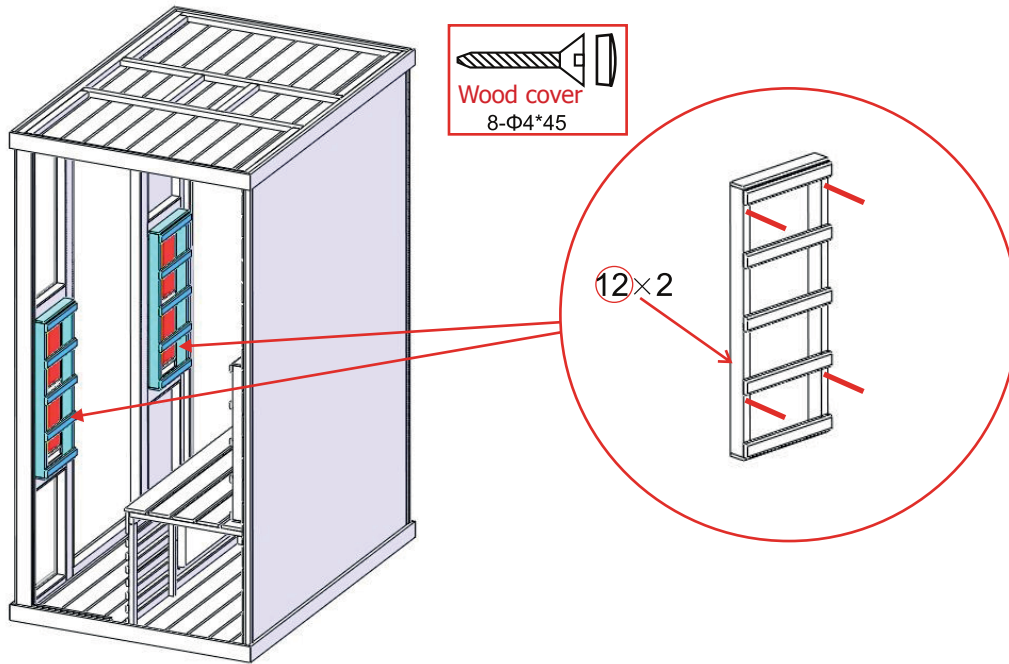
Wood cover 8-Φ4*45



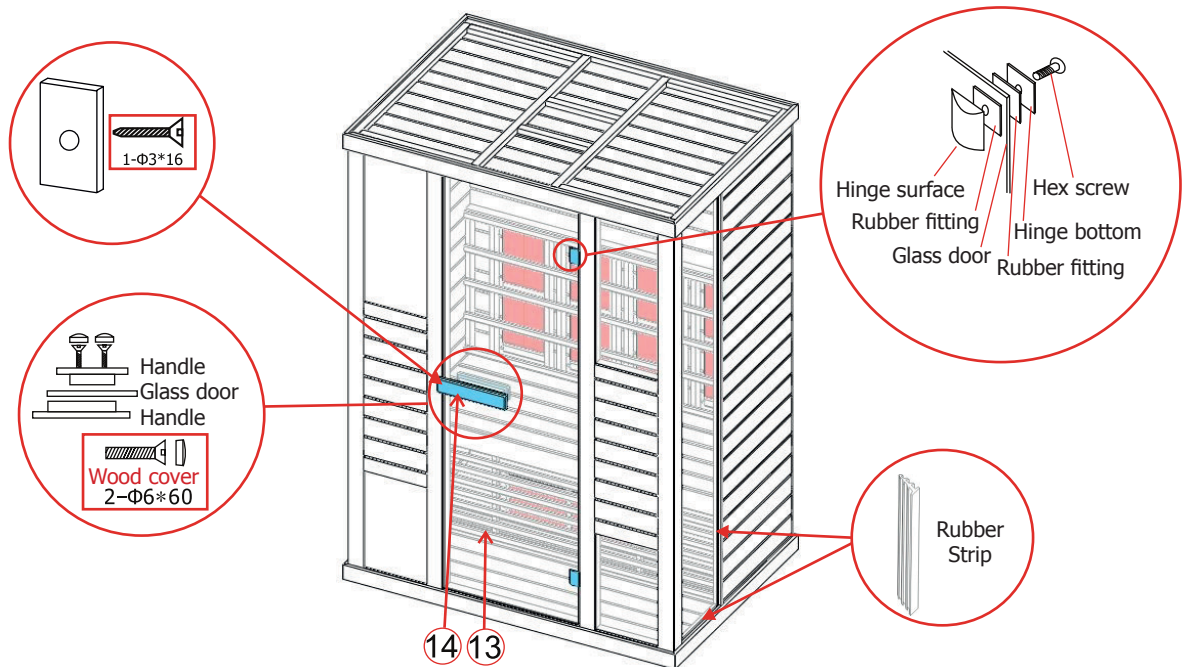
(7)

ASSEMBLE INSTRUCTIONS

Assemble steps



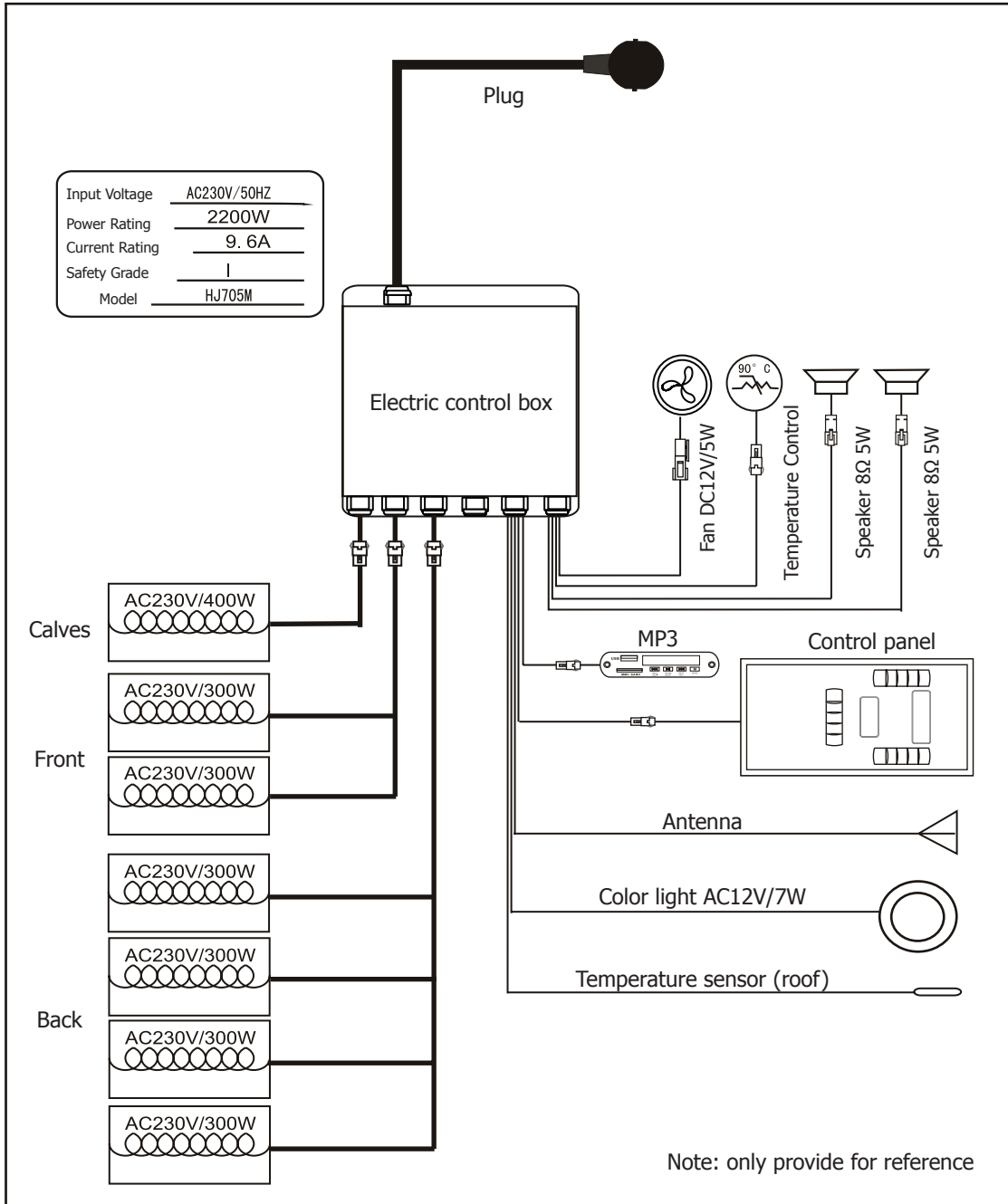
(8)



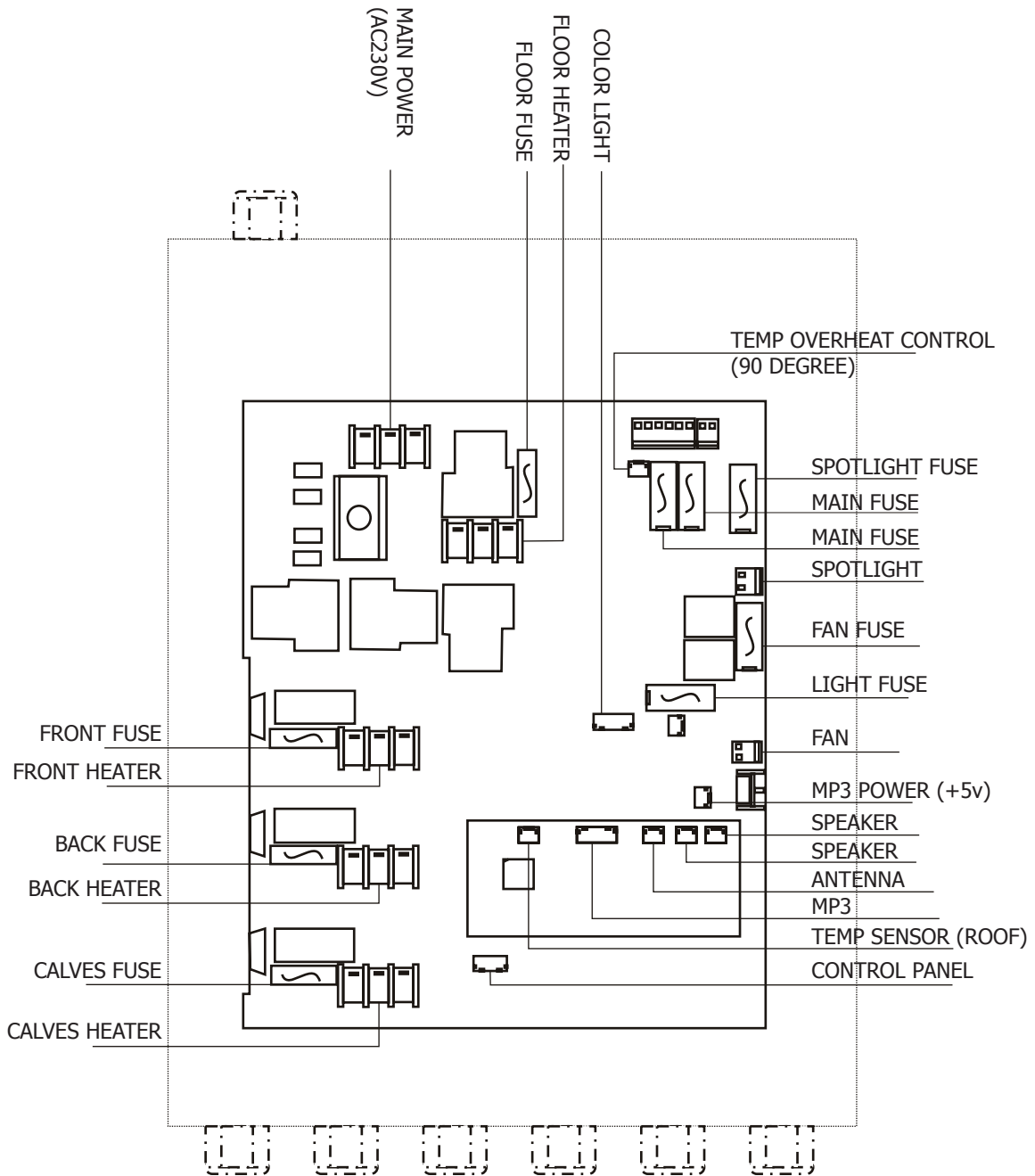
Note: connect all cables on the roof of the cabin

(9)

CIRCUIT DIAGRAM



CIRCUIT DIAGRAM








705M ELECTRIC CONTROL BOX

OPERATING INSTRUCTIONS




Connect the power unit to wall outlet, the LED indicator will start to blink on the display. Now it is possible to switch on the infrared heaters, the light and the music function.

1) Startup

Press  to switch on the cabin and heaters start to work, the length of time is automatically set to 99 minutes and the air temperature inside the cabin will be displayed. Press  again switch off the heaters.




Press  /  /  separately to adjust the power intensity of front/back/calves heaters from 100%-0%.

2) Temperature settings



The upper display refers to the air temperature. Press , you can set the desired temperature (35-60°C) using the  /  keys. When at this temperature, the heaters will stop working automatically; When it fall 4°C below this temperature, the cabin will start up automatically.

Please note: The maximum air temperature reachable in the cabin may be lower than the desired temperature. This is dependent on the temperature outside the cabin.

3) Time settings


The lower display refers to the length of time. Press , you can set the desired time (5-90mins) using the  /  keys. After this time, the heaters will shut off automatically.

4) Sky light






Short press , you can set the desired colour (7 colors totally); Long press  to go into an automatically cycling mode, changing colour every 5 seconds.

5) Fan


The fan has three modes: automatic, manual, close. The automatic mode is present when the heaters switch on. In automatic mode, the fan switches on when the set cabin air temperature is reached.



Press  once for manual mode, the fan switches on. Press once more for close mode, it switches off.

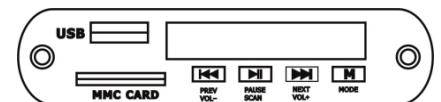
6) FM radio

Press  to switch on or switch off the FM radio. You can set a station (87.5MHZ-108MHZ) by pressing the  /  keys and adjust the volume (0-8) by pressing the  /  keys.


7) Mp3 player

Press  to switch on or switch off the Mp3 player.






Activate the Mp3 player by pressing and holding the  on the Mp3 player. Select the preferred mode with brief repeated presses of the  on the Mp3 player. (USB, MMC CARD, Bluetooth, FM radio)



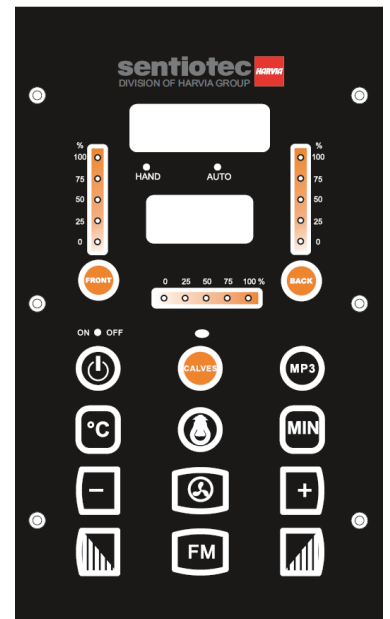
USB/SD or Bluetooth mode:

You can select songs by short pressing the  /  keys and adjust the volume (0-32) by long pressing the  /  keys. The  key for pause.

FM radio mode:

Long press  to search stations (87.5MHZ-108MHZ) automatically, the system will save all of them; You can select stations by short pressing the  /  keys and adjust the volume (0-32) by long Pressing the  /  keys.

8) Remote control included



SERVICE**Use instructions**

Drink plenty of liquids before and after use of the infrared cabin.

Dry yourself off completely.

The optimal cabin temperature for a pleasant session lies between 35 and 40°C.

After a heating period of an hour at the latest, the cabin should be switched off and a heating brake of at least 30 minutes should be taken.

It is recommended to take a warm shower and relax after use.

Maintenance instructions

Clean the cabin with a damp cotton towel, dry with a clean dry towel.

Clean the glass with a window/glass cleaner and a soft cloth.

Do not pour water in the control panel or clean it with wet cloth. For cleaning purposes, use a cleaning cloth that has been only slightly moistened with a mild soapy solvent (dish detergent).

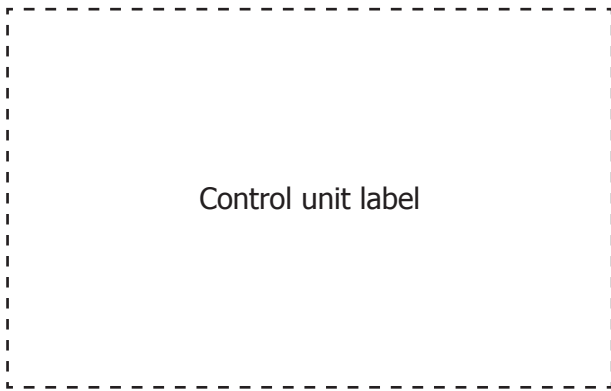
Do not use chemical detergents to clean the cabin.

Please fasten the screws of the bench once every three months, avoid the loose or drop off.

Notes:

SERVICE

GUARANTEE CARD



Fill in this form and make a picture of it and Email to:

Date of purchase: _____

Serial Number: _____

Reference number: _____

Name: _____

Article state (unopened, just opened or used): _____

Please encircle on picture below which heater or which panel has a fault.

Attach pictures of the problem and send them through email.

